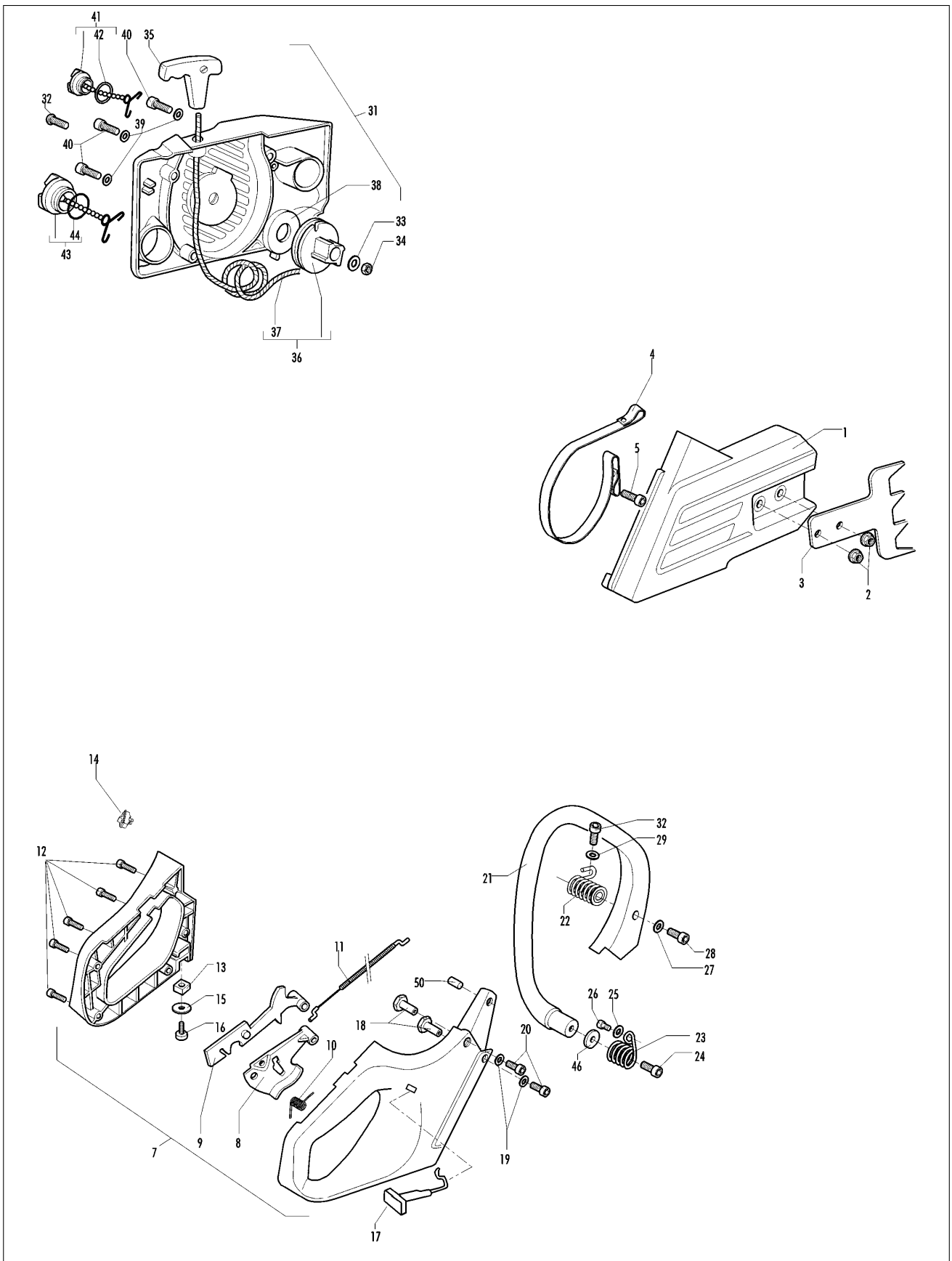


HUSQVARNA OUTDOOR PRODUCTS ITALIA

PNC	ML	Model	Brand
965190001 965190002	03	BKS 542E	Florabest

Number of Pages 1 of 7

Factory:	IIQ - Valmadrera	Product Group:	OP 93
Publication Number:	EIPL2007_V220000001	Petrol Portable	
Publication Date:	31/05/07	Sub Group	9430



Item	PN	Qty	Description
FIGURE 1			
C	1	538248438	1 kit clutch cover
A	2	538242501	2 nut M6
C	3	538241993	1 spiked bumper
B	4	538235073	1 band brake
	5	538235812	1 special brake screw
C	7	538243027	1 rear handle assy
C	8	* 538240301	1 throttle trigger
C	9	* 538240302	1 safety trigger
	10	* 538240303	1 throttle trigger spring
C	11	* 538240367	1 throttle cable assy
	12	* 538240862	5 screw 4x18
C	13	* 538242439	1 switch
	14	538229524	1 nut M5
	15	538227259	1 washer
	16	538240845	1 screw
C	17	538243025	1 choke knob assy
	18	538240315	2 nut
	19	538235248	2 washer M5
	20	538235802	2 screw M5x14
	21	538240281	1 front handle
B	22	538240289	1 spring
B	23	538240285	1 spring
	24	538240354	1 screw 6x30
	25	538235248	1 washer M5
	26	538235802	1 screw M5x14
	27	538235248	1 washer M5
	28	538235803	1 screw M5x25
	29	538227259	1 washer
	30	538235802	1 screw M5x14
C	31	538241854	1 starter assy
	32	* 538240316	1 screw M5x35
	33	* 538240921	1 washer
	34	* 538229208	1 nut M5
	35	* 538240884	1 starter handle
B	36	* 538235372	1 pulley and rope
A	37	** 538235042	1 rope
B	38	* 538235040	1 spring
	39	538235248	3 washer M5
	40	538236997	3 M5x30 screw
B	41	538240866	1 oil cap assy
C	42	* 538235511	1 O-ring (oil cap)
B	43	538240865	1 fuel cap assy
C	44	* 538235510	1 O-ring (fuel cap)
	46	538236934	1 washer
	50	538240323	1 spacer

A = ALTA ROTAZIONE	A = HIGH MOVING	A = HAUTE DEMANDE	A = GROBE NACHFRAGE
B = MEDIA ROTAZIONE	B = MEDIUM MOVING	B = MOYENNE DEMANDE	B = MITTELMAESSIGE
C = BASSA ROTAZIONE	C = SLOW MOVING	C = BASSE DEMANDE	C = WENIGE NACHFRAGE
NUOVI CODICI	NEW PARTS	NOUVELLE REFERENCES	NEU CODEX

FIGURE 3

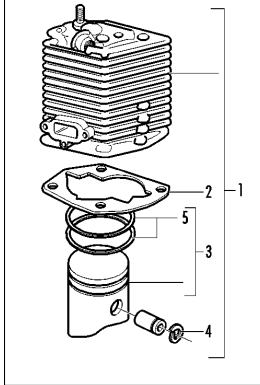
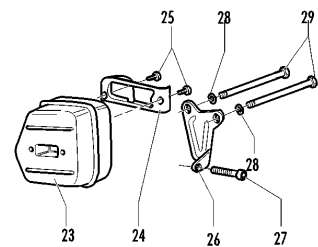
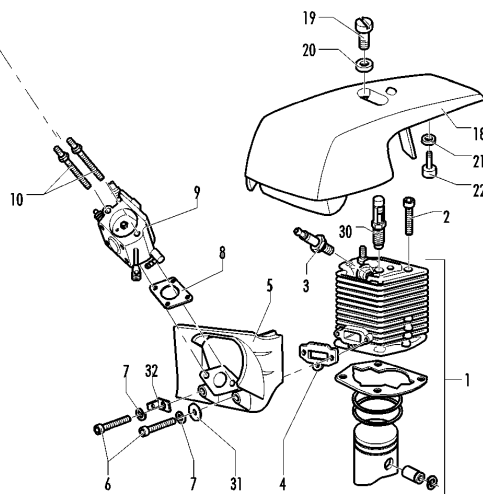
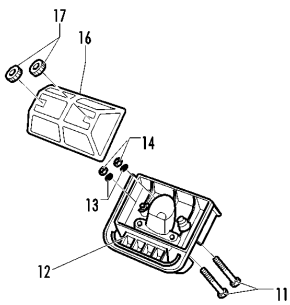
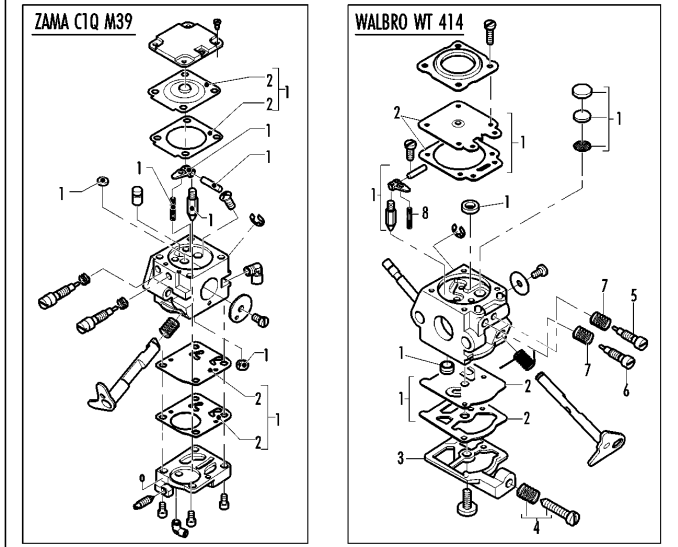


FIGURE 4

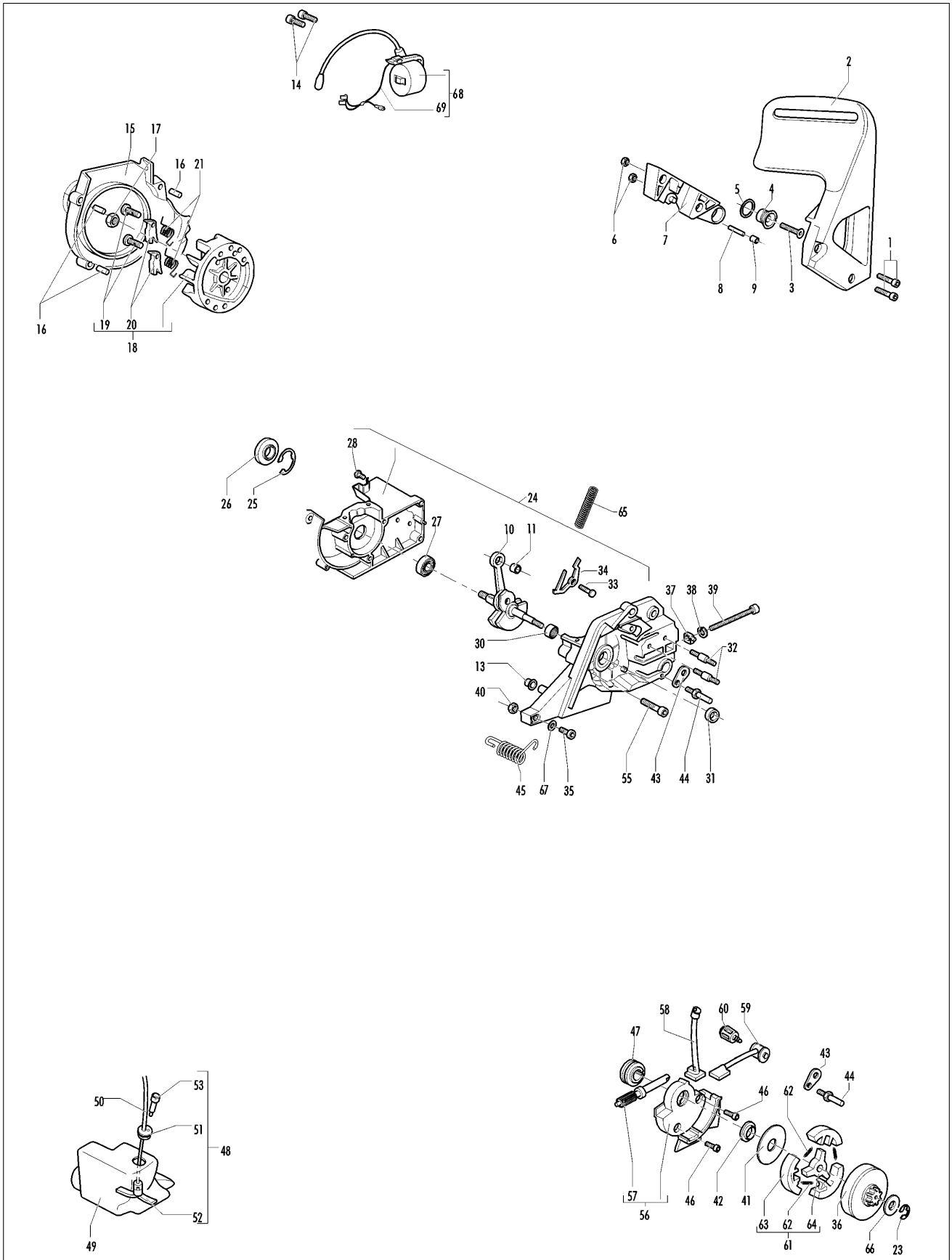


Item	PN	Qty	Description
FIGURE 2			
C	1		FIGURE 3
	2	4	screw M5x25
A	3	1	spark plug RDJ8J
B	4	1	gasket
	5	1	carb.spacer
	6	2	screw M5x30
	7	2	split washer
A	8	1	gasket
C	9		FIGURE 4
	10	2	bolt
	11	2	screw M5x40
	12	1	air filter box
	13	2	washer M5
	14	2	nut M5
B	16	1	air filter
	17	2	nut
	18	1	engine cover
	19	1	screw
	20	1	washer
	21	1	washer
	22	1	grommet
	23	1	muffler
	24	*	538240297 1 baffle
	25	*	538236981 2 screw T5
	26	1	538240299 1 muffler support
	27	1	538236997 1 screw M5x30
	28	2	538227626 2 washer D5
	29	2	538227567 2 screw M5x70
	30	1	538094273 1 dekompressor
	31	1	538235248 1 washer M5
	32	1	538228139 1 faston male

Item	PN	Qty	Description
FIGURE 4, Carburetor			
C		1	538242938 Walbro WT 695
B	1 *	1	538247260 main kit K20 WAT
A	2 **	1	538229191 gasket-diaphragm.W
	3 *	1	538247261 pump cover
	4 *	1	538237481 idle screw kit
C	8 *	1	538247387 98-3249 spring
C		1	538242062 ZAMA C1QM39
B	1 *	1	538226226 repair kit C1Q
A	2 **	1	538226227 gasket-diaphragm C1Q

FIGURE 3, cylinder and piston			
C	1	1	538249164 42cc kit
B	2 *	1	538242366 gasket
C	3 *	1	538248807 42cc piston kit
	4 **	2	538229544 snap ring
B	5 **	1	538240085 42cc piston ring

A = ALTA ROTAZIONE	A = HIGH MOVING	A = HAUTE DEMANDE	A = GROBE NACHFRAGE
B = MEDIA ROTAZIONE	B = MEDIUM MOVING	B = MOYENNE DEMANDE	B = MITTELMAESSIGE
C = BASSA ROTAZIONE	C = SLOW MOVING	C = BASSE DEMANDE	C = WENIGE NACHFRAGE
NUOVI CODICI	NEW PARTS	NOUVELLE REFERENCES	NEU CODEX



Item	PN	Qty	Description
FIGURE 5			
	1	538235806	2 screw M5x20
C	2	538241907	1 brake lever
	3	538241905	1 screw M6x25
	4	538241904	1 sleeve
	5	538241906	1 washer D.10X15X1
	6	538235642	2 nut M5
	7	538241902	1 brake housing
	8	538242017	1 band pivot
	9	538241903	1 brake needle
	10	538241873	1 crankshaft assy
C	11 *	538227329	1 needle bearing 12x15x13
	13	538235672	1 tank grommet
	14	538235806	2 screw M5x20
	15	538247290	1 air conveyor
	16 *	538240358	3 spacer
	17	538235218	1 nut M8
	18	538242621	1 flywheel
B	19 *	538235516	2 pin (starter pawl)
B	20 *	538235517	2 starter pawl
B	21 *	538235518	2 starter spring
	23	538229137	1 benzing 4mm
	24	538248497	1 crankcase kit
	25 *	538235899	1 seeger ring
C	26 *	538241879	1 seal 15X32X4/5
	27 *	538235900	1 ball bearing 6002 15/32/9
	28 *	538241077	1 self-threading screw 4X14
	30 *	538241253	1 needle bearing 15X21X12
C	31 *	538228872	1 seal 13-32-5 (S7)
B	32 *	538241880	2 bar bolt M6
	33 *	538235075	1 latch pivot
	34 *	538094006	1 brake latch
	35	538235806	1 screw M5x20
B	36	538240260	1 drum sprocket 3/8
B	37	538241908	1 bar adjustment nut
B	38	538235367	1 benzing 4mm
B	39	538241909	1 screw
	40	538235642	1 nut M5
	41	538241346	1 washer
	42	538242006	1 clutch spacer
	43	538240309	1 oil cap plate
C	44	538240363	1 chain catcher
B	45	538240286	1 spring
	46	538235802	2 screw M5x14
C	47	538241882	1 oil pump screw
	48	538240920	1 fuel tank assy
	49 *	538240300	1 fuel tank
B	50 *	538229789	1 fuel hose

Item	PN	Qty	Description
C	51 *	538235675	1 fuel tank grommet
A	52 *	538240452	1 fuel pick up
C	53 *	538227582	1 vent filter
	55	538236997	4 M5x30 screw
B	56	538241883	1 oil pump assy
C	57 *	538241885	1 oil pump piston kit
	58 *	538241895	1 pipe joint
	59 *	538241896	1 oil pump tube
C	60 *	538225062	1 oil filter
	61	538242004	1 clutch assy
B	62 *	538240926	3 spring
	63 *	538227359	3 shoe clutch
	64 *	538242005	1 rotor clutch
	65	538235076	1 brake spring
	66	538235287	1 clutch waher
	67	538227259	1 washer
C	68	538243029	1 ignition coil assy
C	69 *	538243040	1 wires assy

A = ALTA ROTAZIONE	A = HIGH MOVING	A = HAUTE DEMANDE	A = GROBE NACHFRAGE
B = MEDIA ROTAZIONE	B = MEDIUM MOVING	B = MOYENNE DEMANDE	B = MITTELMAESSIGE
C = BASSA ROTAZIONE	C = SLOW MOVING	C = BASSE DEMANDE	C = WENIGE NACHFRAGE
NUOVI CODICI	NEW PARTS	NOUVELLE REFERENCES	NEU CODEX